



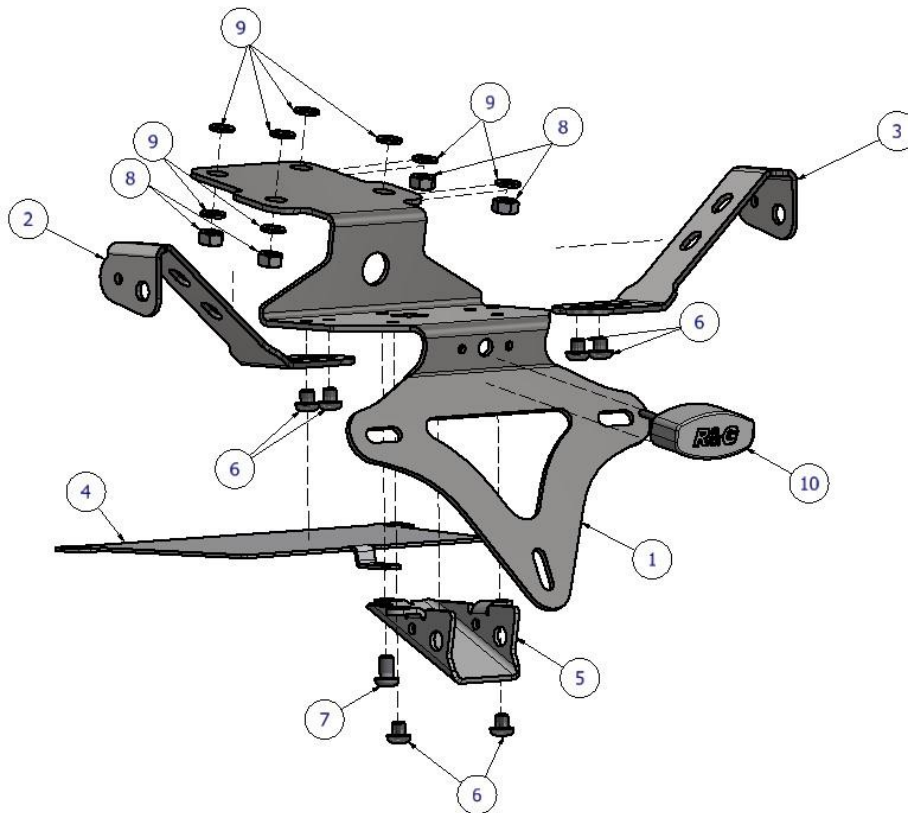
FITTING INSTRUCTIONS FOR LP0253BK LICENCE PLATE BRACKET
TRIUMPH SPEED TRIPLE 1050RS '18-

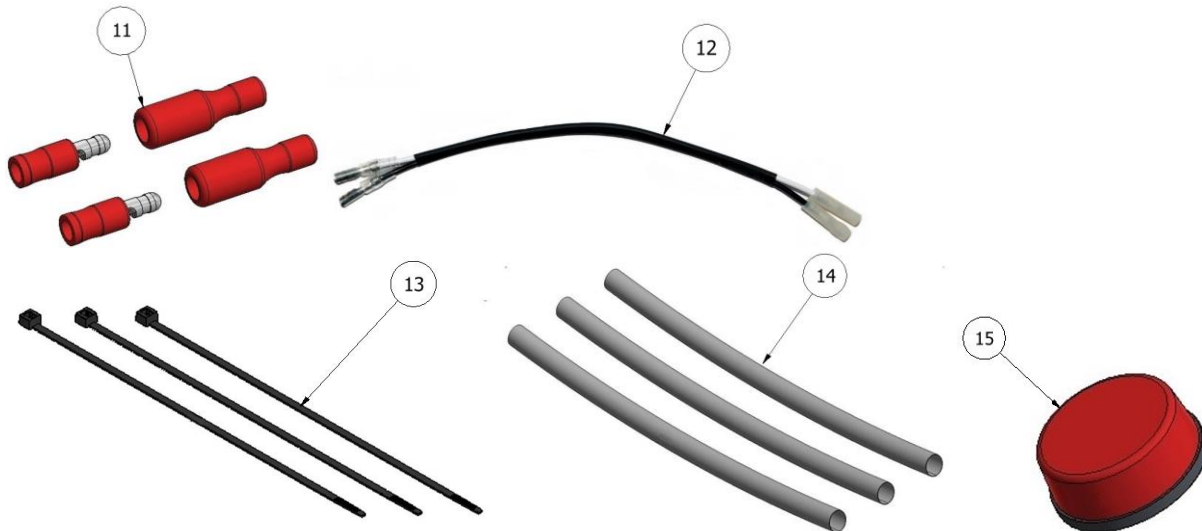


THIS KIT CONTAINS THE ITEMS PICTURED AND LABELLED BELOW.
DO NOT PROCEED UNTIL YOU ARE SURE ALL PARTS ARE PRESENT.

Please note that the way the kit is packed does not necessarily represent the way of mounting to the bike.

THE PARTS SHOWN MAY BE REPRESENTATIVE ONLY (FOR CLARITY OF INSTRUCTIONS ONLY).





LEGEND

- ITEM 1 = LICENCE PLATE BRACKET (TB0194 PART 1). (x1)
 ITEM 2 = RIGHT SIDE INDICATOR BRACKET (TB0253 PART 2). (x1)
 ITEM 3 = LEFT SIDE INDICATOR BRACKET (TB0253 PART 3). (x1)
 ITEM 4 = COVER PLATE (TB0194 PART 4). (x1)
 ITEM 5 = WIRING COVER (TB0253 PART 1). (x1)
 ITEM 6 = M6 x 6mm LONG BUTTON HEAD BOLTS. (x6)
 ITEM 7 = M6 x 10mm LONG BUTTON HEAD BOLTS. (x3)
 ITEM 8 = M6 NYLOC NUTS. (x4)
 ITEM 9 = M6 WASHERS. (x8)
 ITEM 10 = LICENCE PLATE ILLUMINATOR ASSEMBLY. (x1)
 ITEM 11 = BULLET CONNECTORS (CON0004). (x1).
 ITEM 12 = INDICATOR CONNECTORS (CON0046). (x2).
 ITEM 13 = CABLE TIES. (x2)
 ITEM 14 = 150MM LENGTH OF HEATSHRINK. (x3)
 ITEM 15 = REFLECTOR. (x1)
 ITEM 16 = SELF ADHESIVE FOAM. (x2) (NOT SHOWN)

TOOLS REQUIRED

- Set of metric allen keys.
- Set of metric sockets and wrench.
 - Set of torx drivers.
 - Cable cutters.

MAXIMUM TORQUE SETTINGS

- M4 BOLT = 8Nm
- M5 BOLT = 12Nm
- M6 BOLT = 15Nm
- M8 BOLT = 20Nm
- M10 BOLT = 40Nm

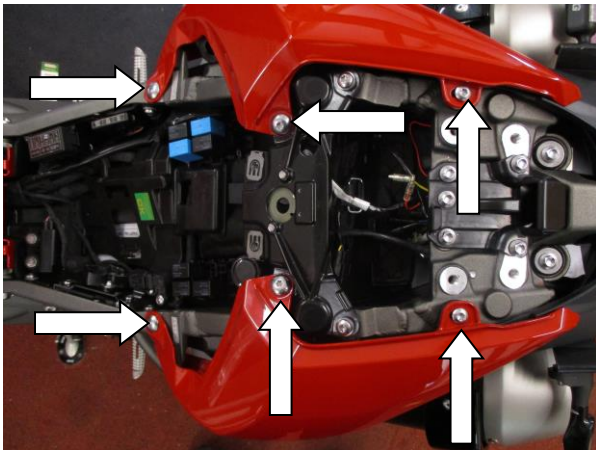
R&G



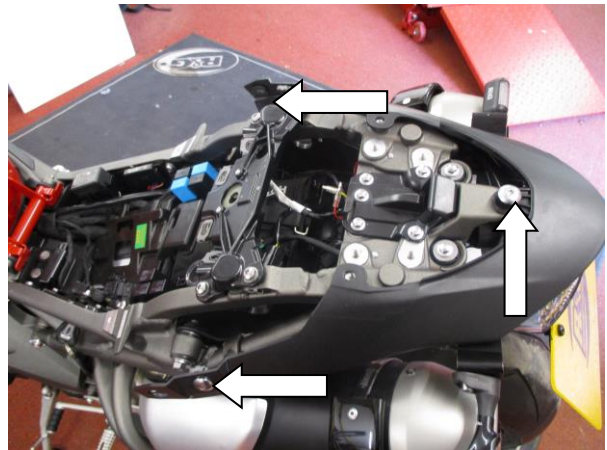
Picture 1



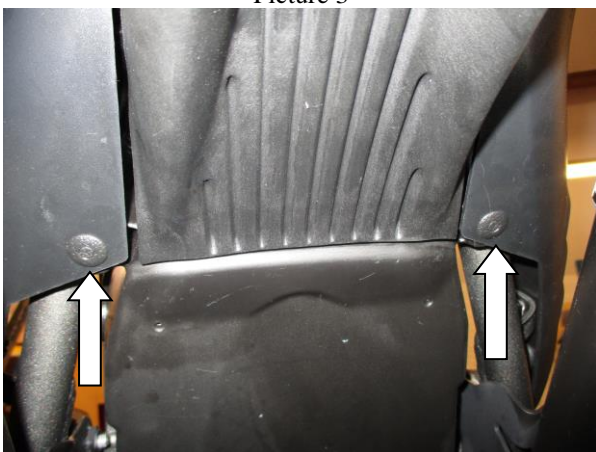
Picture 2



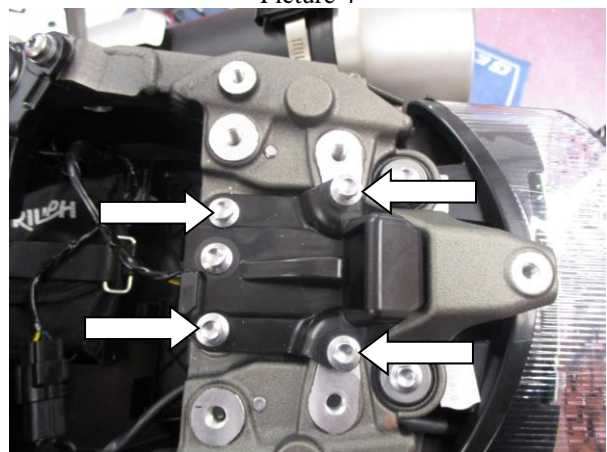
Picture 3



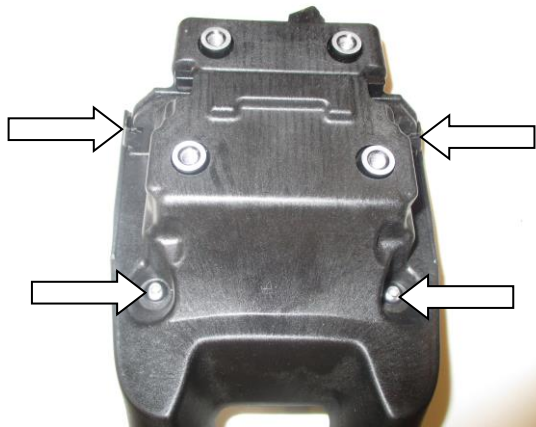
Picture 4



Picture 5



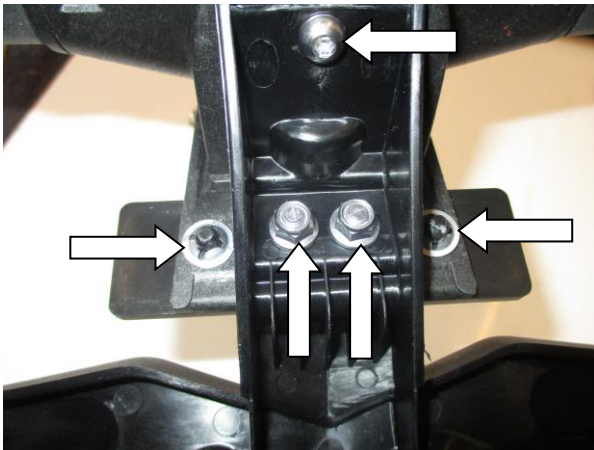
Picture 6



Picture 7



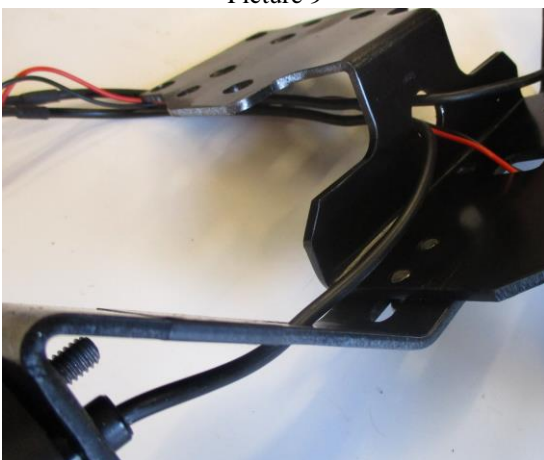
Picture 8



Picture 9



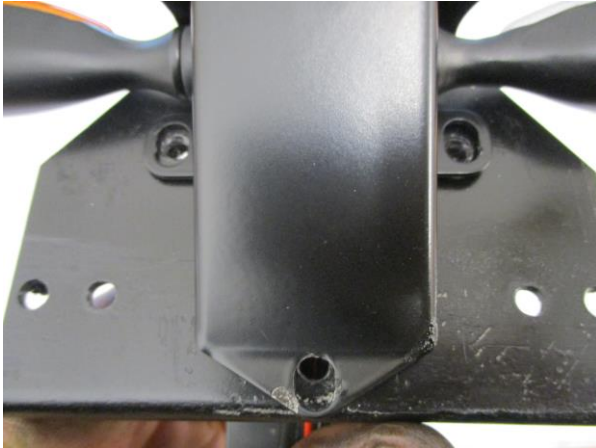
Picture 10



Picture 11



Picture 12



Picture 13



Picture 14



Picture 15



Picture 16

FITTING INSTRUCTIONS

- Remove pillion seat using the key.
- Remove the two button head bolts that hold the main seat.
- Remove the 3 bolts from both rear panels shown in picture 3.
- Remove the 3 bolts arrowed in picture 4 and the 2 push pins located underneath on the undertray arrowed in picture 5. Remove the rear panel by sliding it off backwards.
- Disconnect the main tail unit connector, not the rear light connector.
- Undo the 4 bolts arrowed in picture 6, support the OEM licence plate hanger while undoing the bolts. Gently remove the entire assembly and wiring.
- Protect the wiring of the licence plate illuminator (item 10) using a length of heatshink (item 14) and mount to the licence plate bracket (item 1) using the included washers and nuts. Apply a small amount of super glue to the light shroud to hold it in position. Thread the wiring through the square hole and large round hole in the licence plate bracket.

R&G

Unit 1, Shelley's Lane, East Worldham, Alton, Hampshire, GU34 3AQ
 Tel: +44 (0)1420 89007 Fax: +44 (0)1420 87301 www.rg-racing.com Email: info@rg-racing.com



Indicators can be mounted from the indicator brackets (item 2 & 3) or from the wiring cover (item 5) depending on the desired look.

Page | 6

If using OEM indicators

- Remove the bolt from each indicator.
- Remove the 2 bolts and 2 clips arrowed in picture 7.
- Remove the two round clips and 3 bolts arrowed in picture 9.
- Split the licence plate hanger, make note of the indicator wiring, unplug the wiring from the sub-harness and remove the indicators.

If using indicator brackets to mount indicators

- Mount the indicators to their corresponding indicator brackets (items 2 & 3) as shown in picture 10 using the original mounting bolt.
- Mount the indicator brackets to the licence plate bracket (item 1) using 2 small M6 bolts (item 6) as shown in picture 11.
- Offer the wiring cover up to the licence plate bracket as shown in picture 13, secure the wiring cover with 2 small M6 bolts (item 6) on either side.

If using the wiring cover to mount indicators

- Thread the indicator wiring of both indicators through the larger holes of the corresponding side on the wiring cover.
- Offer the wiring cover up to the licence plate bracket as shown in picture 13 feeding the indicator wiring through the large square and circular hole as shown in picture 14. Secure the wiring cover with 2 small M6 bolts (item 6) on either side.
- Secure the indicators to the threaded holes using 2 longer M6 bolts (item 7).

If using mini indicators (R&G product codes: RG370 (bulb type), RG371 (LED), RG372 (LED Aero))

- Protect the indicator wiring using a length of heatshrink (item 14).

If using indicator brackets to mount mini indicators

- Mount the indicators to their corresponding indicator brackets (items 2 & 3) as shown in picture 10 using the included flange nut.
- Mount the indicator brackets to the licence plate bracket (item 1) using 2 small M6 bolts (item 6) as shown in picture 11.
- Offer the wiring cover up to the licence plate bracket as shown in picture 13, secure the wiring cover with 2 small M6 bolts (item 6) on either side.

If using the wiring cover to mount mini indicators

- Thread the indicator wiring of both indicators through the larger holes of the corresponding side on the wiring cover and secure using the included flange nut.
- Offer the wiring cover up to the licence plate bracket as shown in picture 13 feeding the indicator wiring through the large square and circular hole as shown in picture 14. Secure the wiring cover with 2 small M6 bolts (item 6) on either side.
- Cut strips of self-adhesive foam (item 16) and apply to the licence plate bracket as shown in picture 14.
- Secure the tail tidy assembly to the tail of the bike using the original 4 bolts and the included nyloc nuts (item 8) and M6 washers (item 9) as shown in picture 15 and in the exploded diagram. Thread the wiring through into the under-seat compartment.
- If using indicator brackets, secure the wiring to the bracket using a cable tie (item 13) on each side.
- Secure the cover plate (item 4) to the licence plate bracket and wiring cover using a longer M6 bolt (item 7) as shown in picture 16.

R&G

Unit 1, Shelley's Lane, East Worldham, Alton, Hampshire, GU34 3AQ
 Tel: +44 (0)1420 89007 Fax: +44 (0)1420 87301 www.rg-racing.com Email: info@rg-racing.com



- Gently slide the OEM rear panel back in and locate the cover plate on the inside. Push the OEM push pins back in their original position, securing the cover plate.
- If using OEM indicators connect these to the OEM sub loom removed earlier.
- If using mini indicators connect these to the indicator connectors (item 12) and connect this to the OEM sub loom removed earlier. A set of R&G resistors (RGR0001) may be required to achieve the correct flash rate.
- To connect the OEM licence plate illuminator wiring to the R&G licence plate illuminator the OEM wiring will need to be 'cut and shut'. To do this cut off the OEM licence plate illuminator connector leaving 100mm of wiring attached. Strip the ends of the wires and fit female bullet connectors (item 11) to the exposed ends of both wires. Connect this to the licence plate illuminator and connect the newly 'cut and shut' OEM connector to the OEM sub loom.
- Connect the OEM sub loom to the main loom.
- At this stage it is advisable to check operation of all lights. If lights fail to illuminate swap the connectors.
- Tidy the wires using cable tie provided and tuck into the space where wires were originally located.
- Refit both rear side panels, rider seat and pillion seat as original.
- Refit the licence plate (it may require drilling).
- Please check the operation of all lights before riding the motorcycle.
- **IMPORTANT: IF FITTING A FULL-SIZE LICENCE PLATE AND PLACING IT FAR DOWN ON THE LICENCE PLATE HANGER, THERE IS A SMALL CHANCE OF THE LICENCE PLATE HITTING THE BACK WHEEL UNDER HEAVY LOAD AND OVER LARGE BUMPS IN THE ROAD. IT IS YOUR RESPONSIBILITY TO CHECK FOR THIS POSSIBILITY AND TAKE AVOIDING ACTION. FAILURE TO CHECK THIS COULD RESULT IN SERIOUS INJURY.**
- Depending on local laws, attach enclosed reflector (item 15) in an appropriate location

ISSUE 1 21/08/2018 (HB)

Digital copies of these instructions are available to download from www.rg-racing.com

CONSUMER NOTICE

The catalogue description and any exhibition of samples are only broad indications of the Products and R&G may make design changes which do not diminish their performance or visual appeal and supplying them in such state shall conform to the order. The Buyer acknowledges no representation or warranty (other than as to title) has been given or will apply to the Products other than those in R&G's order or confirmation and the Buyer confirms it has chosen the Products as being of merchantable quality and suitable for its particular purposes. Where R&G fits the Products or undertakes other services it shall exercise reasonable skill and care and rectify any fault free of charge unless the workmanship has been disturbed. The Buyer is responsible for ensuring that the warranty on the motorcycle is not affected by the fitting of the Products. On return of any defective Products R&G shall at its option either supply a replacement or refund the purchase money but shall not be liable if the Products have been modified or used or maintained otherwise than in accordance with R&G's or manufacturer's instructions and good engineering practice or if the defect arises from accident or neglect. Other than identified above and subject to R&G not limiting its liability for causing death and personal injury, it shall not be liable for indirect or consequential loss and otherwise its liability shall be limited to the amounts paid by the Buyer for the Products or the fitting or service concerned. These terms do not affect the Buyer's statutory rights.

R&G RETURNS POLICY (NON-FAULTY GOODS)

Returns must be pre-authorised (if not pre-authorised the return will be rejected). Goods may only be returned direct to us if they were purchased direct from us (customer must prove if necessary). Otherwise to be returned to original vendor. Goods must be in re-sellable condition, in the opinion of R&G. All returns are subject to a 25% restocking and handling fee (25% of the gross value exc. P&P – at the prevailing price at time of purchase). The customer must pay any and all carriage charges. No returns of discontinued products, unless within 14 days of purchase. This policy does not affect your statutory rights and does not refer to faulty goods.

R&G

Unit 1, Shelley's Lane, East Worldham, Alton, Hampshire, GU34 3AQ
 Tel: +44 (0)1420 89007 Fax: +44 (0)1420 87301 www.rg-racing.com Email: info@rg-racing.com



**NOTICE DE MONTAGE POUR LP0253BK SUPPORT DE PLAQUE
TRIUMPH SPEED TRIPLE 1050RS '18-**

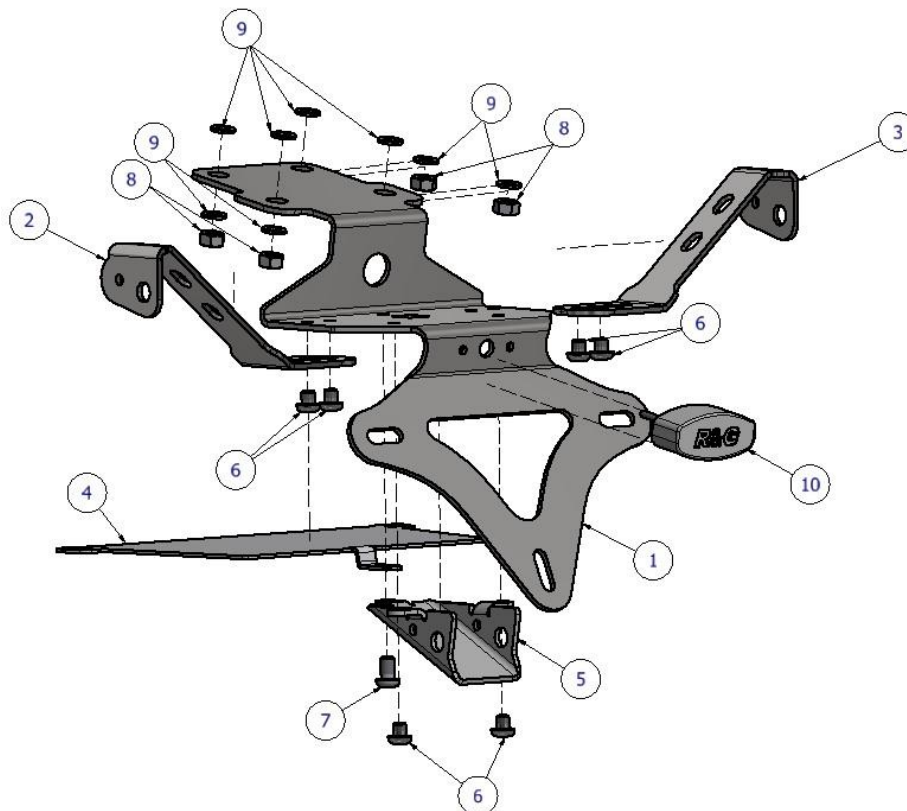
Page | 8



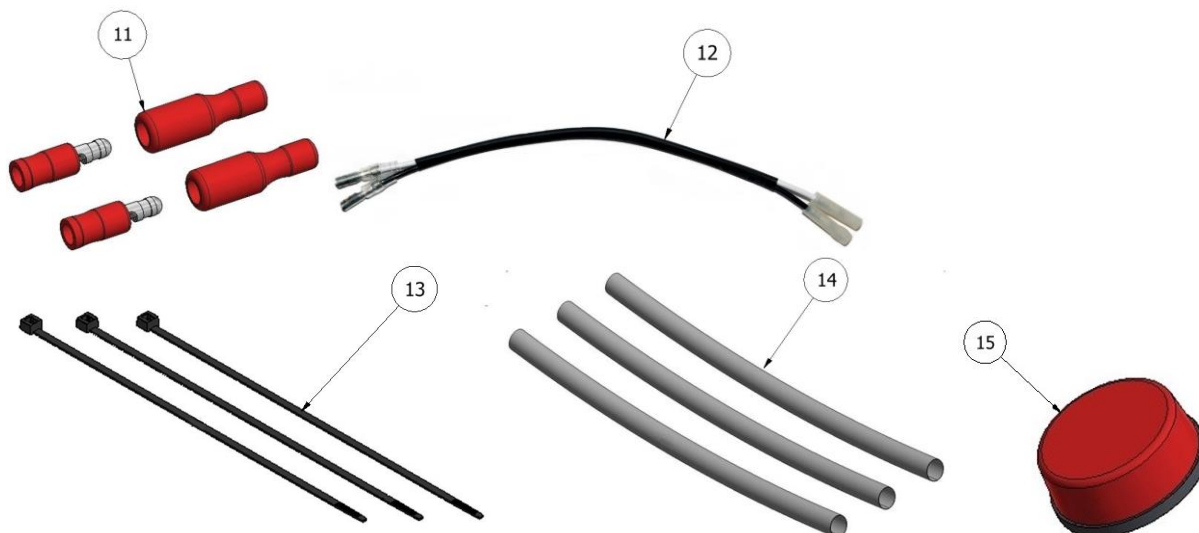
Le kit contient les articles exposés ci-dessous, vérifier que toutes les pièces soient présentes avant de procéder au montage.

La façon dont le kit est emballé ne correspond pas forcément à la façon de monter les pièces sur la moto.

LES PARTIES PRESENTÉES PEUVENT ÊTRE UNIQUEMENT REPRESENTATIVES (POUR LA CLARTÉ DES INSTRUCTIONS UNIQUEMENT).



R&G



LÉGENDE

- ARTICLE 1 = SUPPORT DE PLAQUE (TB0194 PARTIE 1). (x1)
 ARTICLE 2 = SUPPORT CLIGNOTANT CÔTÉ DROIT (TB0253 PART 2). (x1)
 ARTICLE 3 = SUPPORT CLIGNOTANT CÔTÉ GAUCHE (TB0253 PARTIE 3). (x1)
 ARTICLE 4 = COUVERCLE (TB0194 PARTIE 4). (x1)
 ARTICLE 5 = CACHE FIL (TB0253 PARTIE 1). (x1)
 ARTICLE 6 = M6 x 6mm BOULONS. (x6)
 ARTICLE 7 = M6 x 10mm BOULONS. (x3)
 ARTICLE 8 = M6 ÉCROUS. (x4)
 ARTICLE 9 = M6 RONDELLES. (x8)
 ARTICLE 10 = ASSEMBLAGE DE FEU DE PLAQUE. (x1)
 ARTICLE 11 = CONNECTEURS (CON0004). (x1).
 ARTICLE 12 = CONNECTEURS DE CLIGNOTANT (CON0046). (x2).
 ARTICLE 13 = COLLIERES DE SERRAGE. (x2)
 ARTICLE 14 = 150MM LONGUEUR DE MANCHON THERMO RÉTRACTABLE. (x3)
 ARTICLE 15 = REFLECTEUR. (x1)
 ARTICLE 16 = MOUSSE AUTOCOLLANTE. (x2) (NON INDIQUÉ)

OUTILS REQUIS

- Clés Allen.
- Clé à cliquet + douilles.
 - Clés Torx.
 - Coupe câble.

VALEURS DE SERRAGE

M4 BOULON = 8Nm
 M5 BOULON = 12Nm
 M6 BOULON = 15Nm
 M8 BOULON = 20Nm
 M10 BOULON = 40Nm

R&G



NOTICE DE MONTAGE

- Enlever le siège à l'aide de la clé.
- Enlever les 2 boulons qui fixent le siège principal.
- Enlever les 3 boulons des 2 panneaux arrière, voir photo 3.
- Enlever les 3 boulons indiqués sur la photo 4 et les 2 onglets places sous le passage de roue, voir la photo 5. Enlever le panneau arrière en le glissant vers le bas.
- Déconnecter le connecteur principal d'unité de queue de support de plaque, pas le connecteur de feu arrière.
- Desserrer les 4 boulons, voir la photo 6, supporter le support de plaque d'origine tout en enlevant les boulons. Enlever délicatement l'ensemble et le câblage.
- Protéger le fil du feu de plaque (article 10) en utilisant une longueur de manchon thermos rétractable (article 14) puis monter le support de plaque (article 1) en utilisant les rondelles et écrous fournis. Appliquer un peu de superglue sur le linceul de feu pour le fixer en position. Passer le fil dans le trou carré et le gros trou rond du support de plaque.

Les clignotants peuvent être montés depuis les supports de clignotant (article 2 & 3) ou de puis le cache fil (article 5) selon à votre convenance.

Si vous utilisez les clignotants d'origine

- Enlever le boulon de chaque clignotant.
- Enlever les 2 boulons et les 2 clips, voir la photo 7.
- Enlever les 2 clips rond et les 3 boulons indiqués sur la photo 9.
- Écarter le support de plaque, prenez note de la configuration du câblage, débrancher le fil du sous-harnais puis enlever les clignotant.

Si vous utilisez les supports de clignotant pour monter les clignotants.

- Monter les clignotants sur leurs supports respectifs (articles 2 & 3) voir la photo 10 en utilisant le boulon de fixation d'origine.
- Monter le support de clignotant sur le support de plaque de plaque (article 1) en utilisant les 2 petits boulons M6 (article 6) voir la photo 11.
- Monter le cache fil sur le support de plaque, voir la photo 13, fixer le cache fil avec 2 petits boulons M6 (article 6) d'un côté.

Si vous utilisez le cache fil pour monter les clignotants.

- Passer le fil de clignotant des 2 clignotants dans les trous du côté correspondant du cache fil.
- Monter le cache fil sur le support de plaque, voir la photo 13 en passant le fil de clignotant dans le trou carré et le trou rond, voir photo 14. Fixer le cache fil avec les 2 petits boulons M6 (article 6) d'un côté.
- Fixer les clignotants sur dans trous filetés en utilisant 2 boulons M6 (article 7).

Si vous utilisez les mini clignotants (R&G code produit : RG370 (type ampoule), RG371 (LED), RG372 (LED latérale))

- Protéger le fil de clignotant à l'aide de la longueur de manchon thermo rétractable (article 14).

Si vous utilisez les supports de clignotant pour monter les mini clignotants.

- Monter les clignotants sur leurs supports respectifs (articles 2 & 3), voir la photo 10 en utilisant l'écrou fourni.
- Monter les supports de clignotant sur le support de plaque (article 1) en utilisant 2 petits boulons M6 (article 6) voir photo 11.

R&G

Unit 1, Shelley's Lane, East Worldham, Alton, Hampshire, GU34 3AQ
 Tel: +44 (0)1420 89007 Fax: +44 (0)1420 87301 www.rg-racing.com Email: info@rg-racing.com



- Monter le cache fil sur le support de plaque, voir la photo 13, fixer le cache fil avec 2 petits boulons M6 (article 6) d'un côté.

Si vous utilisez le cache fil pour monter les mini clignotants.

- Passer le fil de clignotant des 2 clignotants dans les trous du côté correspondant sur le cache fil puis fixer l'écrou fourni.
- Monter le cache fil sur le support de plaque, voir photo 13 en passant le fil de clignotant dans le carré large et le trou rond, voir photo 14. Fixer le cache fil avec les 2 petits boulons M6 (article 6) d'un côté.
- Couper des bandeaux de mousse autocollante (article 16) puis appliquez les sur le support de plaque, voir photo 14.
- Fixer l'ensemble de queue de support de plaque sur la moto en utilisant les 4 boulons et écrous fournis (article 8) et rondelles M6 (article 9), voir la photo 15 et le schéma présenté. Passer le fil dans le compartiment situé sous le siège.
- Si vous utilisez des supports de clignotants, fixer le fil sur le support en utilisant un collier de serrage (article 13) de chaque côté.
- Fixer le couvercle (article 4) sur le support de plaque et le cache de fil en utilisant un boulon M6 (article 7), voir la photo 16.
- Glisser le panneau arrière d'origine puis placer le couvercle à l'intérieur. Pousser les broches d'origine dans leur position d'origine, en fixant le couvercle.
- Si vous utilisez les clignotants d'origine, connectez-les au sous faisceau d'origine qui a été enlevé un peu plus tôt.
- Si vous utilisez des mini clignotants, connectez-les aux connecteurs de clignotant (article 12) puis connectez-les connectez les au sous faisceau d'origine qui a été enlevé un peu plus tôt.
- Un kit de résistances R&G (RGR0001) peut être nécessaire pour obtenir le bon éclairage.
- Pour connecter le fil de feu de plaque d'origine au feu de plaque R&G, le fil d'origine devra être « coupé et fermé ». Pour cela, couper le connecteur de feu de plaque d'origine en laissant 100mm de fil. Dénuder les extrémités des fils puis montez les connecteurs femelles (article 11) sur les extrémités des 2 fils. Connectez-le au feu de plaque puis connecter le connecteur d'origine nouvellement « coupé et fermé » au sous-faisceau d'origine.
- Connecter le sous-faisceau d'origine au faisceau principal.
- A ce stade, il est conseillé de vérifier que tous les feux fonctionnent. Si l'éclairage échoue, tournez les connecteurs.
- Serrer les fils à l'aide d'un collier de serrage fourni puis rangez les à l'endroit où ils se trouvaient à l'origine.
- Remonter les 2 panneaux arrière latéraux, le siège du pilote ainsi que le siège passage comme à l'origine.
- Remonter la plaque d'immatriculation (cette opération peut nécessiter un perçage).
- Tester le feu de plaque, les clignotants, ainsi que l'ensemble des feux avant de prendre la route.
- **IMPORTANT : Si vous installez une grosse plaque, il y a un risque que la plaque entre en contact avec la roue arrière en cas de choc sur la route (bosse, grosse charge etc..). Il est de votre responsabilité de vérifier que cela ne puisse pas se produire. Ne pas effectuer ces vérifications peut entraîner des dommages ainsi que des blessures graves pour le pilote.**
- Selon les lois locales, attacher le réflecteur rouge (article 15) à l'endroit approprié.

ISSUE 1 21/08/2018 (HB)

Notice disponible au téléchargement sur www.rg-racing.com

R&G

Unit 1, Shelley's Lane, East Worldham, Alton, Hampshire, GU34 3AQ
 Tel: +44 (0)1420 89007 Fax: +44 (0)1420 87301 www.rg-racing.com Email: info@rg-racing.com



CONSUMER NOTICE

The catalogue description and any exhibition of samples are only broad indications of the Products and R&G may make design changes which do not diminish their performance or visual appeal and supplying them in such state shall conform to the order. The Buyer acknowledges no representation or warranty (other than as to title) has been given or will apply to the Products other than those in R&G's order or confirmation and the Buyer confirms it has chosen the Products as being of merchantable quality and suitable for its particular purposes. Where R&G fits the Products or undertakes other services it shall exercise reasonable skill and care and rectify any fault free of charge unless the workmanship has been disturbed. The Buyer is responsible for ensuring that the warranty on the motorcycle is not affected by the fitting of the Products. On return of any defective Products R&G shall at its option either supply a replacement or refund the purchase money but shall not be liable if the Products have been modified or used or maintained otherwise than in accordance with R&G's or manufacturer's instructions and good engineering practice or if the defect arises from accident or neglect. Other than identified above and subject to R&G not limiting its liability for causing death and personal injury, it shall not be liable for indirect or consequential loss and otherwise its liability shall be limited to the amounts paid by the Buyer for the Products or the fitting or service concerned. These terms do not affect the Buyer's statutory rights.

R&G RETURNS POLICY (NON-FAULTY GOODS)

Returns must be pre-authorised (if not pre-authorised the return will be rejected). Goods may only be returned direct to us if they were purchased direct from us (customer must prove if necessary). Otherwise to be returned to original vendor. Goods must be in re-sellable condition, in the opinion of R&G. All returns are subject to a 25% restocking and handling fee (25% of the gross value exc. P&P – at the prevailing price at time of purchase). The customer must pay any and all carriage charges. No returns of discontinued products, unless within 14 days of purchase. This policy does not affect your statutory rights and does not refer to faulty goods.

R&G

Unit 1, Shelley's Lane, East Worldham, Alton, Hampshire, GU34 3AQ

Tel: +44 (0)1420 89007 Fax: +44 (0)1420 87301 www.rg-racing.com Email: info@rg-racing.com



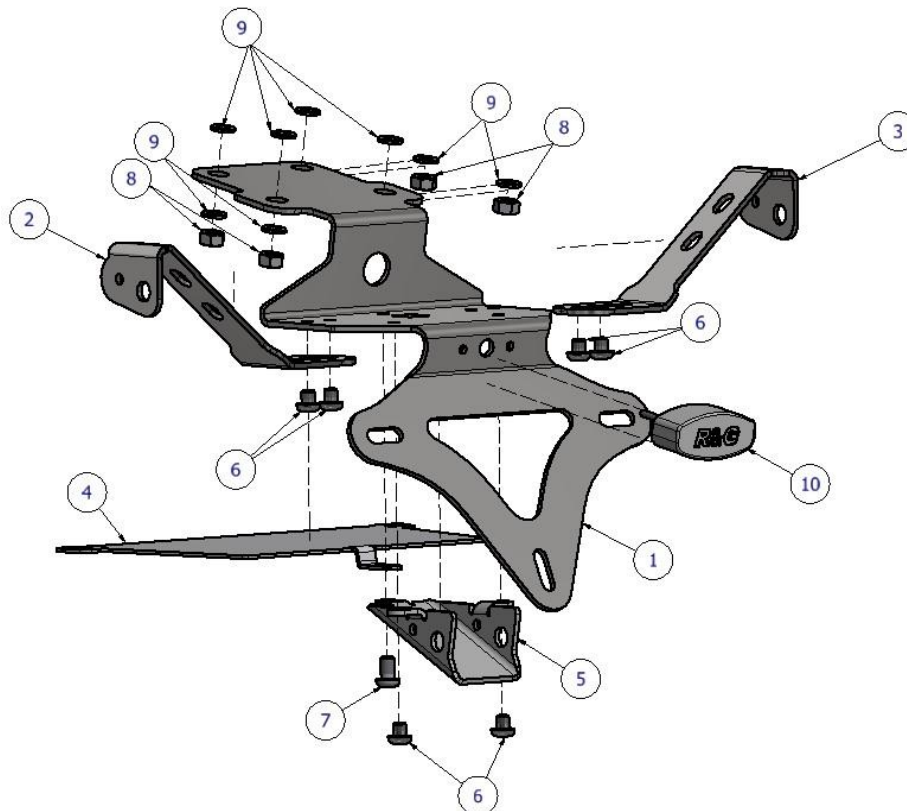
**MONTAGEANLEITUNG FÜR LP0253BK KENNZEICHENHALTER
TRIUMPH SPEED TRIPLE 1050RS '18-**



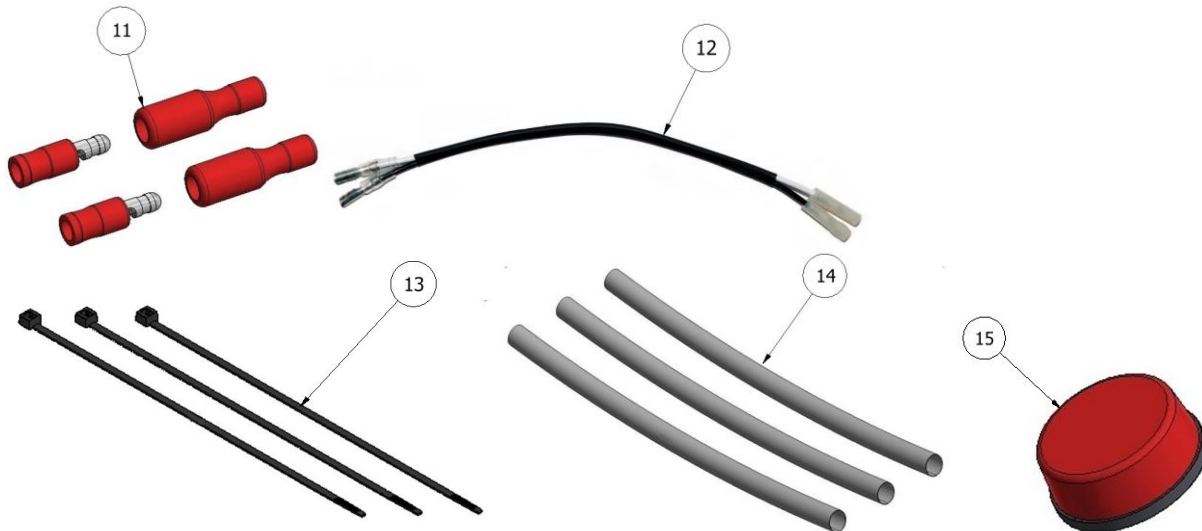
ALLE TEILE SIND UNTEN ABGEBILDET UND GEKENNZEICHNET. BEVOR SIE MIT DER MONTAGE BEGINNEN, ÜBERPRÜFEN SIE, DASS ALLE TEILE VORHANDEN SIND.

Hinweis: Die Verpackung der Teile stellt nicht die Reihenfolge der Montage dar.

DIE UNTEN ABGEBILDETEN TEILE DIENEN LEDIGLICH ZUR ERKLÄRUNG



R&G



Page | 14

LIEFERUMFANG

- ARTIKEL 1 = KENNZEICHENHALTER (TB0194 TEIL 1) (x1)
- ARTIKEL 2 = HALTERUNG FÜR BLINKER RECHTS (TB0253 TEIL 2) (x1)
- ARTIKEL 3 = HALTERUNG FÜR BLINKER LINKS (TB0253 TEIL 3) (x1)
- ARTIKEL 4 = ABDECKPLATTE (TB0194 TEIL 4) (x1)
- ARTIKEL 5 = KABELABDECKUNG (TB0253 TEIL 1) (x1)
- ARTIKEL 6 = M6 x 6mm INBUSSCHRAUBE (x6)
- ARTIKEL 7 = M6 x 10mm INBUSSCHRAUBE (x3)
- ARTIKEL 8 = M6 SELBSTSICHERNDE MUTTER (x4)
- ARTIKEL 9 = M6 UNTERLEGSSCHEIBEN (x8)
- ARTIKEL 10 = KENNZEICHENBELEUCHTUNG (x1)
- ARTIKEL 11 = KABELVERBINDUNGEN (CON0004) (x1)
- ARTIKEL 12 = VERBINDUNGEN FÜR DIE BLINKER (CON0046) (x2)
- ARTIKEL 13 = KABELBINDER (x2)
- ARTIKEL 14 = 150MM SCHRUMPFSCHLAUCH (x3)
- ARTIKEL 15 = RÜCKSTRAHLER (x1)
- ARTIKEL 16 = SELBSTKLEBENDE SCHAUMSTOFFSTREIFEN (x2) (NICHT ABGEBILDET)

SIE BENÖTIGEN FOLGENDES WERKZEUG:

- Satz Inbusschlüssel
- Steckschlüsselsatz
- Satz Torx-Schlüssel
- Seitenschneider

MAX. ANZUGSDREHMOMENT:

- M4 Schraube = 8 Nm
- M5 Schraube = 12 Nm
- M6 Schraube = 15 Nm
- M8 Schraube = 20 Nm
- M10 Schraube = 40Nm

R&G

Unit 1, Shelley's Lane, East Worldham, Alton, Hampshire, GU34 3AQ
 Tel: +44 (0)1420 89007 Fax: +44 (0)1420 87301 www.rg-racing.com Email: info@rg-racing.com



MONTAGEANLEITUNG

- Entfernen Sie den Beifahrersitz (der Schlüssel wird hierfür benötigt).
- Entfernen Sie die zwei Inbusschrauben, die den Sitz befestigen.
- Entfernen Sie die 3 Schrauben von beiden Heckverkleidungen – siehe Abbildung 3.
- Entfernen Sie die 3 Schrauben, die in Abbildung 4 gekennzeichnet sind und die 2 Reißzwecken unten an der unteren Abdeckung – siehe Abbildung 5. Entfernen Sie das hintere Verkleidungsteil, indem Sie es nach hinten abziehen.
- Trennen Sie den Hauptsteckverbinder für den Kennzeichenhalter, nicht den Steckverbinder für die Rückbeleuchtung!
- Lösen Sie die 4 Schrauben, die in Abbildung 6 markiert sind - stützen Sie den Originalkennzeichenhalter während Sie die Schrauben lösen. Entfernen Sie nun vorsichtig die komplette Einheit zusammen mit der Verkabelung.
- Eine Länge Schrumpfschlauch (Artikel 14) an den Kabeln für die Kennzeichenbeleuchtung (Artikel 10) anbringen, um sie zu schützen. Die Kabel für die Kennzeichenbeleuchtung am Kennzeichenhalter (Artikel 1) fixieren mit den Unterlegscheiben und Muttern vom Kit sichern. Etwas Sekundenkleber benutzen, um die Abdeckung für die Kennzeichenbeleuchtung in Position zu halten. Führen Sie die Verkabelung durch die viereckige Öffnung und die runde Öffnung im Kennzeichenhalter.

Die Blinker können entweder an den Blinkerhalterungen (Artikel 2 & 3) oder an der Kabelabdeckung (Artikel 5) montiert werden, um die gewünschte Optik zu erzielen.

Wenn Sie die Originalblinker montieren

- Entfernen Sie die Schraube an jedem Blinker.
- Entfernen Sie die zwei Schrauben und Clips, die in Abbildung 7 mit Pfeilen markiert sind.
- Entfernen Sie die zwei runden Clips und 3 Schrauben, die in Abbildung 9 gekennzeichnet sind.
- Den Kennzeichenhalter in zwei Teile trennen und die Verlegung der Blinkerkabel notieren. Die Kabel vom Kabelbaum trennen und die Blinker entfernen.

Wenn Sie die Blinker an den Blinker-Halterungen montieren

- Montieren Sie die Blinker an den passenden Halterungen (Artikel 2 & 3) wie in Abbildung 10 abgebildet. Benutzen Sie jeweils die original Montageschraube.
- Montieren Sie die Halterungen für die Blinker am Kennzeichenhalter (Artikel 1) mit den 2 kleinen M6 Schrauben (Artikel 6) – siehe Abbildung 11.
- Die Kabelabdeckung am Kennzeichenhalter anbringen wie in Abbildung 13 abgebildet und die Kabelabdeckung mit den 2 kleinen M6 Schrauben (Artikel 6) an beiden Seiten befestigen.

Wenn Sie die Blinker an der Kabelabdeckung montieren

- Führen Sie die Verkabelung der zwei Blinker durch die größeren Öffnungen an der jeweils entsprechenden Seite der Kabelabdeckung.
- Die Kabelabdeckung am Kennzeichenhalter anbringen wie in Abbildung 13 abgebildet. Führen Sie die Verkabelung durch die viereckige Öffnung und die runde Öffnung wie in Abbildung 14 abgebildet. Die Kabelabdeckung mit den 2 kleinen M6 Schrauben (Artikel 6) an beiden Seiten befestigen.
- Die Blinker in den Gewindeöffnungen befestigen mit den 2 längeren M6 Schrauben (Artikel 7).

Wenn Sie Miniblinker montieren (R&G Artikel-Nr. RG370 (Glühbirne), RG371 (LED), RG372 (LED Aero))

- Eine Länge Schrumpfschlauch (Artikel 14) an der Blinkerverkabelung anbringen, um sie zu schützen.

Wenn Sie die Miniblinker an den Blinker-Halterungen montieren

- Montieren Sie die Blinker an den passenden Halterungen (Artikel 2 & 3) wie in Abbildung 10 abgebildet. Benutzen Sie die Flanshmutter vom Kit.

R&G

Unit 1, Shelley's Lane, East Worldham, Alton, Hampshire, GU34 3AQ

Tel: +44 (0)1420 89007 Fax: +44 (0)1420 87301 www.rg-racing.com Email: info@rg-racing.com



- Montieren Sie die Halterungen für die Blinker am Kennzeichenhalter (Artikel 1) mit den 2 kleinen M6 Schrauben (Artikel 6) – siehe Abbildung 11.
- Die Kabelabdeckung am Kennzeichenhalter anbringen wie in Abbildung 13 abgebildet und die Kabelabdeckung mit den 2 kleinen M6 Schrauben (Artikel 6) an beiden Seiten befestigen.

Wenn Sie die Miniblinker an der Kabelabdeckung montieren

- Führen Sie die Verkabelung der zwei Blinker durch die größeren Öffnungen an der jeweils entsprechenden Seite der Kabelabdeckung und mit der Flanschmutter vom Kit befestigen.
- Die Kabelabdeckung am Kennzeichenhalter anbringen wie in Abbildung 13 abgebildet. Führen Sie die Verkabelung durch die viereckige Öffnung und die runde Öffnung wie in Abbildung 14 abgebildet und die Kabelabdeckung mit den 2 kleinen M6 Schrauben (Artikel 6) an beiden Seiten befestigen.
- Den selbstklebenden Schaumstoffstreifen (Artikel 16) in Streifen schneiden und am Kennzeichenhalter anbringen wie in Abbildung 14 abgebildet.
- Den Kennzeichenhalter am Motorrad anbringen und mit den 4 Originalschrauben und selbstsichernden Muttern (Artikel 8) und M6 Unterlegscheiben (Artikel 9) befestigen wie in Abbildung 15 und in der Explosionszeichnung abgebildet. Die Kabel in das Fach unter dem Sitz einfädeln.
- Wenn Sie die Halterungen für die Blinker verwenden, sichern Sie die Kabel an der Halterung mit einem Kabelbinder (Artikel 13) an beiden Seiten.
- Befestigen Sie die Abdeckplatte (Artikel 4) an der Halterung und an der Abdeckung für die Kabel mit einer langen M6 Schraube (Artikel 7) – siehe Abbildung 16.
- Das hintere Teil der original Heckverkleidung vorsichtig wieder drauf schieben und in die untere Abdeckplatte innen positionieren. Die original Reißzwecken wieder an ihren ursprünglichen Positionen anbringen und die untere Abdeckplatte befestigen.
- Wenn Sie die Originalblinker montieren, diese nun am zuvor entfernten original Kabelsatz anschließen.
- Wenn Sie Miniblinker montieren, verbinden Sie sie mit den Verbindungen für die Blinker (Artikel 12) und diese am zuvor entfernten original Kabelsatz anschließen. 1x Satz RGR0001 Widerstände (separat erhältlich) wird eventuell benötigt, um die richtige Blitzgeschwindigkeit einzustellen
- Um die original Kabel für die Kennzeichenbeleuchtung mit der R&G Kennzeichenbeleuchtung verbinden zu können, muss die original Verkabelung für die Kennzeichenbeleuchtung abgetrennt und abisoliert werden. Den original Steckverbinder mit mindestens 100 mm Kabel (das Kabel noch mit dem Steckverbinder verbunden) abschneiden. Die Kabelenden abisolieren und die weiblichen Kabelverbinder (Artikel 11) an den offenen Enden der Kabel anbringen. Mit der R&G Kennzeichenbeleuchtung verbinden und den zuvor „abgetrennt und abisolierten“ original Steckverbinder am original Kabelsatz anschließen.
- Den original Kabelstrang nun mit dem Kabelbaum verbinden.
- Überprüfen Sie nun die Funktion der kompletten Beleuchtung. Falls die Beleuchtung nicht funktionieren sollte, tauschen Sie die Kabel untereinander.
- Benutzen Sie die Kabelbinder, um die Kabel wie ursprünglich wieder zu verstauen.
- Montieren Sie beide Heckverkleidungen sowie den Fahrersitz und den Beifahrersitz wie ursprünglich wieder.
- Montieren Sie das amtliche Kennzeichen (Bohrungen im Kennzeichen sind evtl. notwendig).
- Überprüfen Sie die Funktion der kompletten Beleuchtung (Blinker und Kennzeichenhalter-Beleuchtung) vor Gebrauch des Fahrzeuges.
- **WICHTIG: WENN EIN GROSSES KENNZEICHEN ZU WEIT NACH UNTEN MONTIERT WIRD, BESTEHT BEI SCHWERER LAST ODER DURCH GROSSE BODENWELLEN EIN GERINGES RISIKO, DASS DAS KENNZEICHEN AN DAS HINTERRAD STOSSEN KANN. ES LIEGT IN IHRER VERANTWORTUNG DIES ZU ÜBERPRÜFEN UND, WENN NOTWENDIG, ZU VORBEUGENDEN MASSNAHMEN ZU ERGREIFEN. DIE NICHTBEACHTUNG DIESES SICHERHEITSHINWEISES KANN ZU SCHWEREN VERLETZUNGEN FÜHREN.**
- Entsprechend der gesetzlichen Vorschriften, den mitgelieferten Rückstrahler (Artikel 15) anbringen.



AUSGABE 1 21/08/2018 (HB)

Eine digitale Version dieser Montageanleitung kann auf folgender Seite heruntergeladen werden:
www.rg-racing.com

Page | 17

CONSUMER NOTICE

The catalogue description and any exhibition of samples are only broad indications of the Products and R&G may make design changes which do not diminish their performance or visual appeal and supplying them in such state shall conform to the order. The Buyer acknowledges no representation or warranty (other than as to title) has been given or will apply to the Products other than those in R&G's order or confirmation and the Buyer confirms it has chosen the Products as being of merchantable quality and suitable for its Teilicular purposes. Where R&G fits the Products or undertakes other services it shall exercise reasonable skill and care and rectify any fault free of charge unless the workmanship has been disturbed. The Buyer is responsible for ensuring that the warranty on the motorcycle is not affected by the fitting of the Products. On return of any defective Products R&G shall at its option either supply a replacement or refund the purchase money but shall not be liable if the Products have been modified or used or maintained otherwise than in accordance with R&G's or manufacturer's instructions and good engineering practice or if the defect arises from accident or neglect. Other than identified above and subject to R&G not limiting its liability for causing death and personal injury, it shall not be liable for indirect or consequential loss and otherwise its liability shall be limited to the amounts paid by the Buyer for the Products or the fitting or service concerned. These terms do not affect the Buyer's statutory rights.

R&G RETURNS POLICY (NON-FAULTY GOODS)

Returns must be pre-authorized (if not pre-authorized the return will be rejected). Goods may only be returned direct to us if they were purchased direct from us (customer must prove if necessary). Otherwise to be returned to original vendor. Goods must be in re-sellable condition, in the opinion of R&G. All returns are subject to a 25% restocking and handling fee (25% of the gross value exc. P&P – at the prevailing price at time of purchase). The customer must pay any and all carriage charges. No returns of discontinued products, unless within 14 days of purchase. This policy does not affect your statutory rights and does not refer to faulty goods.

R&G

Unit 1, Shelley's Lane, East Worldham, Alton, Hampshire, GU34 3AQ

Tel: +44 (0)1420 89007 Fax: +44 (0)1420 87301 www.rg-racing.com Email: info@rg-racing.com