



**FITTING INSTRUCTIONS FOR CP0526 AERO CRASH PROTECTORS  
DUCATI MONSTER 950 (PLUS) 2021-**



**THIS KIT CONTAINS THE ITEMS PICTURED AND LABELLED OVER PAGE.**

SOME PARTS MAY BE SHOWN FOR CLARITY OF INSTRUCTIONS ONLY.

DO NOT PROCEED UNTIL YOU ARE SURE ALL PARTS ARE PRESENT.

**PLEASE READ ALL INSTRUCTIONS BEFORE PROCEEDING.**

**IF IN ANY DOUBT WHEN FITTING OUR PRODUCTS, CONSULT ONE OF OUR DEALERS  
OR HAVE FITTED BY A QUALIFIED TECHNICIAN.**

PLEASE NOTE THAT THE WAY THE KIT IS PACKED DOES NOT NECESSARILY REPRESENT THE WAY OF  
MOUNTING TO THE BIKE.

IN THE EVENT OF RUBBER WASHERS BEING USED TO HOLD COMPONENTS ONTO BOLTS,  
THESE RUBBER WASHERS CAN BE THROWN AWAY.

**DIGITAL COPIES OF THESE INSTRUCTIONS ARE AVAILABLE FROM:**

[WWW.RG-RACING.COM](http://WWW.RG-RACING.COM)



<b><u>TOOLS REQUIRED</u></b>	<b><u>GENERAL TORQUE SETTINGS</u></b>
<ul style="list-style-type: none"> <li>• SOCKET &amp; WRENCH SET INCLUDING 15mm and 17mm SOCKETS.</li> <li>• TORQUE WRENCH (UP TO 50Nm)</li> <li>• SUITABLE SUPPORT JACK</li> </ul>	<p>M4 BOLT = 8Nm  M5 BOLT = 12Nm  M6 BOLT = 15Nm  M8 BOLT = 20Nm  M10 BOLT = 40Nm  M12 BOLT = 40Nm</p>

### **LEGEND**

<b>ITEM NO.</b>	<b>DESCRIPTION</b>	<b>QTY</b>
ITEM 1	B0061 - AERO BOBBINS	2
ITEM 2	BC0002 - BOBBIN CAPS (BOTH SIDES)	2
ITEM 3	S1357 - RHS BOBBIN SPACER	1
ITEM 4	S1358 - LHS BOBBIN SPACER	1
ITEM 5	EB105 220MM ENGINE BAR (LHS)	1
ITEM 6	EB106 180MM ENGINE BAR (RHS)	1
ITEM 7	M12 NULOC NUT	2
ITEM 8	LW0001 LOCKING WASHERS	2
ITEM 9	M12 WASHERS	2

### **AERO-STYLE CRASH PROTECTOR ORIENTATION**



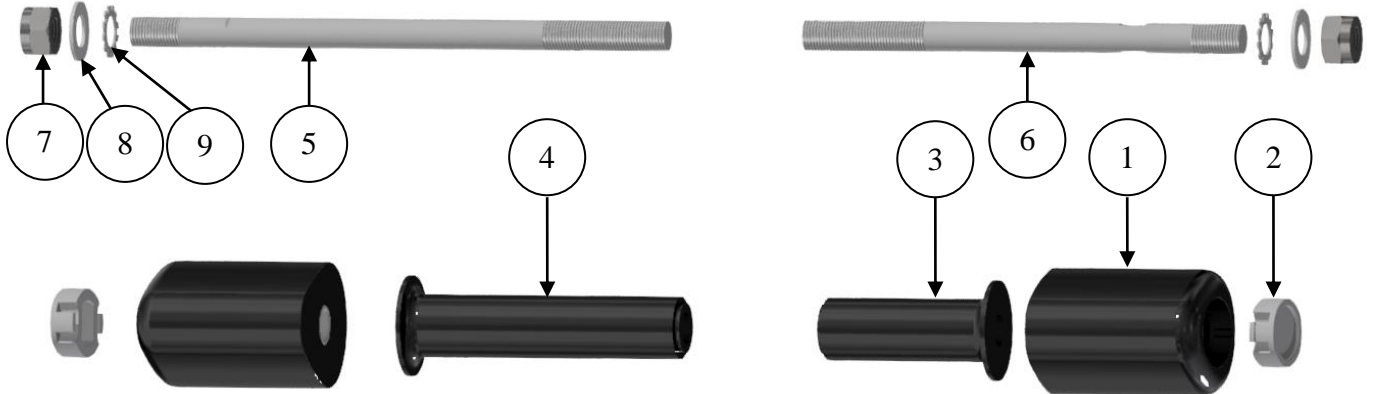
R&G Racing

Unit 1, Shelley's Lane, East Worldham, Alton, Hampshire, GU34 3AQ

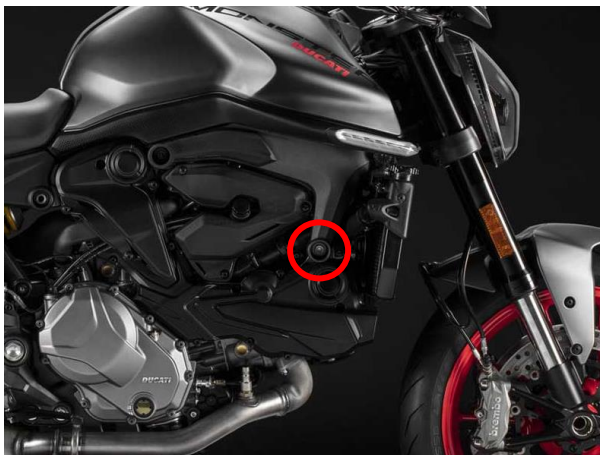
Tel: +44 (0)1420 89007 Fax: +44 (0)1420 87301 [www.rg-racing.com](http://www.rg-racing.com) Email: [info@rg-racing.com](mailto:info@rg-racing.com)



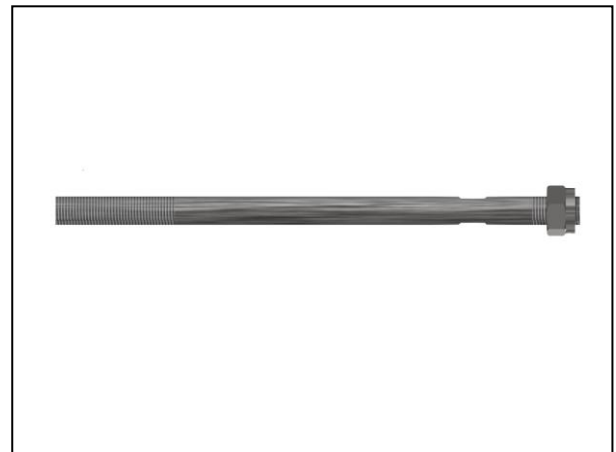
**LHS & RHS EXPLODED ASSEMBLY VIEW**



**FITTING PICTURES**



**Picture 1**



**Picture 2**



**Picture 3**



## **FITTING INSTRUCTIONS**

Before removing engine bolts, ensure the bike is upright and supported by a suitable engine stand or jack placed under the sump of the motorbike to support the partial weight of the engine, this will prevent the engine from moving during fitting. DO NOT REMOVE MORE THAN 1 ENGINE BOLT AT ANY TIME.

### **PREPARATION:**

- Place a suitable jack beneath the engine in a central position using a piece of wood or plastic between the jack and engine.
- Apply very light pressure to the underside of the engine to support the engine during the fitment process.

**Assemble the crash protectors before removing the engine bolts to limit the amount of time the engine is partially un-supported.**

- Screw the nyloc nuts (**ITEM 7**) onto the end of the engine bar (**ITEM 5/6**) with 20mm of thread. You can use a 10mm spanner to hold the bar while securing the nuts.
- Insert the engine bar and nut, with washers into the aero bobbin (**ITEM 1**) followed by the bobbin spacers (**ITEM 3/4**).

### **INSTALLATION:**

- Remove the OEM engine mounting bolt shown in **Picture 1**.
- Install the bobbin and bolt assembly pre-prepared into the engine mount. Screw the M12 engine bar and nut into the thread which will hold the assembly in position.  
**NOTE: To avoid cross threading apply forward pressure to the bolt and rotate counter-clockwise until a click is heard then begin to turn clockwise & tighten.**
- Using a torque wrench with 8mm Allen tool fitted, tighten the engine bar and nut to 45 Nm. You may need to hold the bobbin in position to prevent it turning while tightening the bolt.
- Repeat the same process for the other side, ensuring that the bobbin faces the correct way. Note that the left side is longer than the right side so that the bobbins are positioned equally on the bike.
- Once completed, double check torque settings & the position/orientation of the bobbins then push the bobbin caps (**ITEM2**) into place then remove the jack.

ISSUE 1 - 09/09/2021 (WW)

### **CONSUMER NOTICE**

The catalogue description and any exhibition of samples are only broad indications of the Products and R&G may make design changes which do not diminish their performance or visual appeal and supplying them in such state shall conform to the order. The Buyer acknowledges no representation or warranty (other than as to title) has been given or will apply to the Products other than those in R&G's order or confirmation and the Buyer confirms it has chosen the Products as being of merchantable quality and suitable for its particular purposes. Where R&G fits the Products or undertakes other services it shall exercise reasonable skill and care and rectify any fault free of charge unless the workmanship has been disturbed. The Buyer is responsible for ensuring that the warranty on the motorcycle is not affected by the fitting of the Products. On return of any defective Products R&G shall at its option either supply a replacement or refund the purchase money but shall not be liable if the Products have been modified or used or maintained otherwise than in accordance with R&G's or manufacturer's instructions and good engineering practice or if the defect arises from accident or neglect. Other than identified above and subject to R&G not limiting its liability for causing death and personal injury, it shall not be liable for indirect or consequential loss and otherwise its liability shall be limited to the amounts paid by the Buyer for the Products or the fitting or service concerned. These terms do not affect the Buyer's statutory rights.

### **R&G RACING RETURNS POLICY (NON-FAULTY GOODS)**

Returns must be pre-authorized (if not pre-authorized the return will be rejected). Goods may only be returned direct to us if they were purchased direct from us (customer must prove if necessary). Otherwise to be returned to original vendor. Goods must be in re-sellable condition, in the opinion of R&G Racing. All returns are subject to

R&G Racing

Unit 1, Shelley's Lane, East Worldham, Alton, Hampshire, GU34 3AQ

Tel: +44 (0)1420 89007 Fax: +44 (0)1420 87301 [www.rg-racing.com](http://www.rg-racing.com) Email: [info@rg-racing.com](mailto:info@rg-racing.com)



a 25% restocking and handling fee (25% of the gross value exc. P&P – at the prevailing price at time of purchase). The customer must pay any and all carriage charges. No returns of discontinued products, unless within 14 days of purchase. This policy does not affect your statutory rights and does not refer to faulty goods.

R&G Racing

Unit 1, Shelley's Lane, East Worldham, Alton, Hampshire, GU34 3AQ

Tel: +44 (0)1420 89007 Fax: +44 (0)1420 87301 [www.rg-racing.com](http://www.rg-racing.com) Email: [info@rg-racing.com](mailto:info@rg-racing.com)