



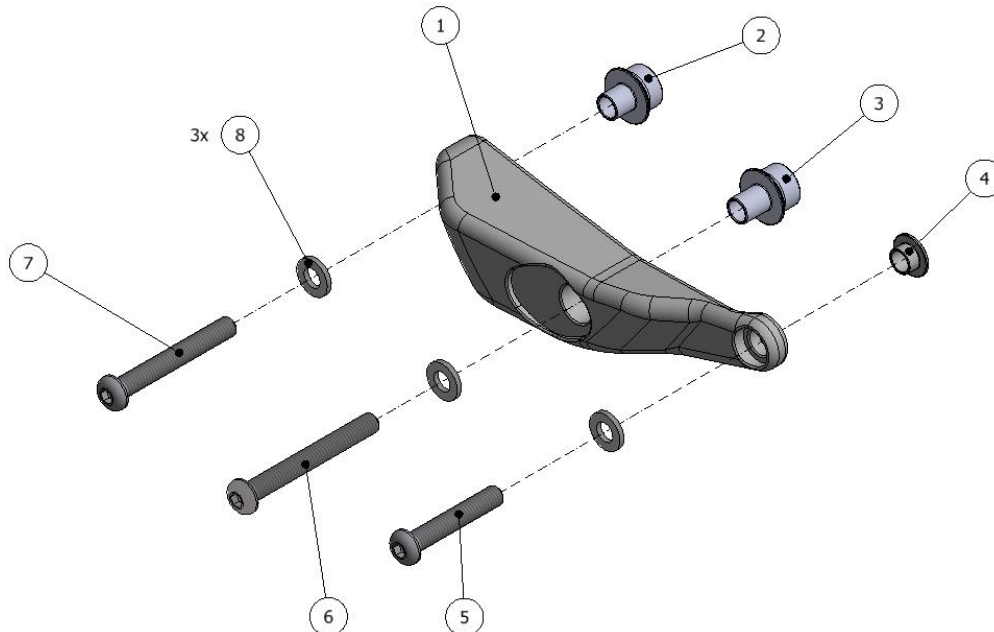
FITTING INSTRUCTIONS FOR ECS0118BK ENGINE CASE SLIDERS
SUZUKI GSX-R1000 '17- (RIGHT HAND SIDE ONLY)



THIS KIT CONTAINS THE ITEMS PICTURED AND LABELLED BELOW.
DO NOT PROCEED UNTIL YOU ARE SURE ALL PARTS ARE PRESENT.

Please note that the way the kit is packed does not necessarily represent the way of mounting to the bike.

THE PARTS SHOWN MAY BE REPRESENTATIVE ONLY (FOR CLARITY OF INSTRUCTIONS ONLY).



R&G Racing

Unit 1, Shelley's Lane, East Worldham, Alton, Hampshire, GU34 3AQ

Tel: +44 (0)1420 89007 Fax: +44 (0)1420 87301 www.rg-racing.com Email: info@rg-racing.com

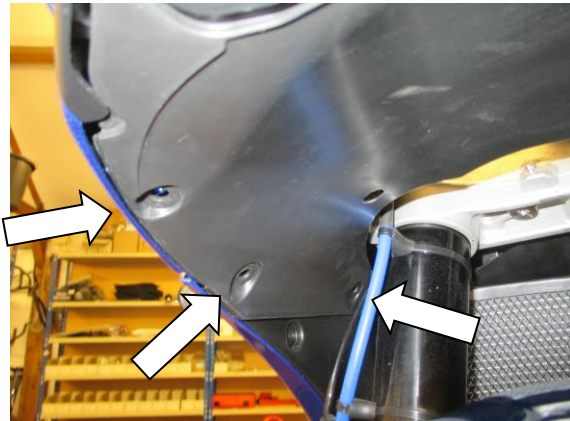


LEGEND

- ITEM 1 = ENGINE CASE SLIDER (ECS0118) (x1).
- ITEM 2 = COMP SLEEVE (*PRE-FITTED*) (CS503) (x1).
- ITEM 3 = COMP SLEEVE (*PRE-FITTED*) (CS473) (x1).
- ITEM 4 = COMP SLEEVE (*PRE-FITTED*) (CS504) (x1).
- ITEM 5 = M6 x 35mm LONG BUTTON HEAD BOLTS (x1).
- ITEM 6 = M6 x 50mm LONG BUTTON HEAD BOLTS (x1).
- ITEM 7 = M6 x 45mm LONG BUTTON HEAD BOLTS (x1).
- ITEM 8 = M6 WASHERS (3).

TOOLS REQUIRED

- Socket set to include 4, 5mm A/F socket & wrench.
 - 8mm spanner or socket & wrench.
 - Flat head screwdriver.



Picture 1



Picture 2



Picture 3



Picture 4



Picture 5



Picture 6



Picture 7



Picture 8



Picture 9



Picture 10



FITTING INSTRUCTIONS

Right side (as you sit on bike)

- To fit the Engine Case Slider, the right side fairing must first be removed from the motorcycle.
- Remove the under-nose plastic cowling, by removing the six push rivets arrowed in pictures 1 & 2 and the remaining two push rivets in the centre, as shown in picture 3.
- To remove the right side fairing, remove the four bolts that are arrowed in pictures 4 & 5 and the push rivet that mounts the radiator cowling that is shown in picture 6.
- The right side fairing can now be removed from the bike. Start by pulling the rear off its rubber mount, as shown in picture 7, before removing the top edge from its rubber mount and plastic locating tabs, as shown in picture 8. With the top edge released, disconnect the wiring connector for the indicator, as shown in picture 9 then unclip the mounts along the front bottom edge that mount the bellypan to the radiator surround. The fairing should then be free to be removed from the bike.
- Remove the three M6 bolts as positioned where the slider fits, as shown in picture 10.
- Insert the new button head bolts with washers through the slider as shown in the exploded diagram.
- Offer up to bike.
- Tighten evenly to manufactures specified torque.
- Fit bubble sticker as shown above.
- Re-fit the fairing in the reverse procedure of removal, ensuring that the indicator connector is re-connected.

Issue 1 12/05/2017 (AR)

Digital copies of these instructions are available to download from www.rg-racing.com

CONSUMER NOTICE

The catalogue description and any exhibition of samples are only broad indications of the Products and R&G may make design changes which do not diminish their performance or visual appeal and supplying them in such state shall conform to the order. The Buyer acknowledges no representation or warranty (other than as to title) has been given or will apply to the Products other than those in R&G's order or confirmation and the Buyer confirms it has chosen the Products as being of merchantable quality and suitable for its particular purposes. Where R&G fits the Products or undertakes other services it shall exercise reasonable skill and care and rectify any fault free of charge unless the workmanship has been disturbed. The Buyer is responsible for ensuring that the warranty on the motorcycle is not affected by the fitting of the Products. On return of any defective Products R&G shall at its option either supply a replacement or refund the purchase money but shall not be liable if the Products have been modified or used or maintained otherwise than in accordance with R&G's or manufacturer's instructions and good engineering practice or if the defect arises from accident or neglect. Other than identified above and subject to R&G not limiting its liability for causing death and personal injury, it shall not be liable for indirect or consequential loss and otherwise its liability shall be limited to the amounts paid by the Buyer for the Products or the fitting or service concerned. These terms do not affect the Buyer's statutory rights.

R&G RACING RETURNS POLICY (NON-FAULTY GOODS)

Returns must be pre-authorized (if not pre-authorized the return will be rejected). Goods may only be returned direct to us if they were purchased direct from us (customer must prove if necessary). Otherwise to be returned to original vendor. Goods must be in resellable condition, in the opinion of R&G Racing. All returns are subject to a 25% restocking and handling fee (25% of the gross value exc. P&P – at the prevailing price at time of purchase). The customer must pay any and all carriage charges. No returns of discontinued products, unless within 14 days of purchase. This policy does not affect your statutory rights and does not refer to faulty goods.

R&G Racing

Unit 1, Shelley's Lane, East Worldham, Alton, Hampshire, GU34 3AQ

Tel: +44 (0)1420 89007 Fax: +44 (0)1420 87301 www.rg-racing.com Email: info@rg-racing.com



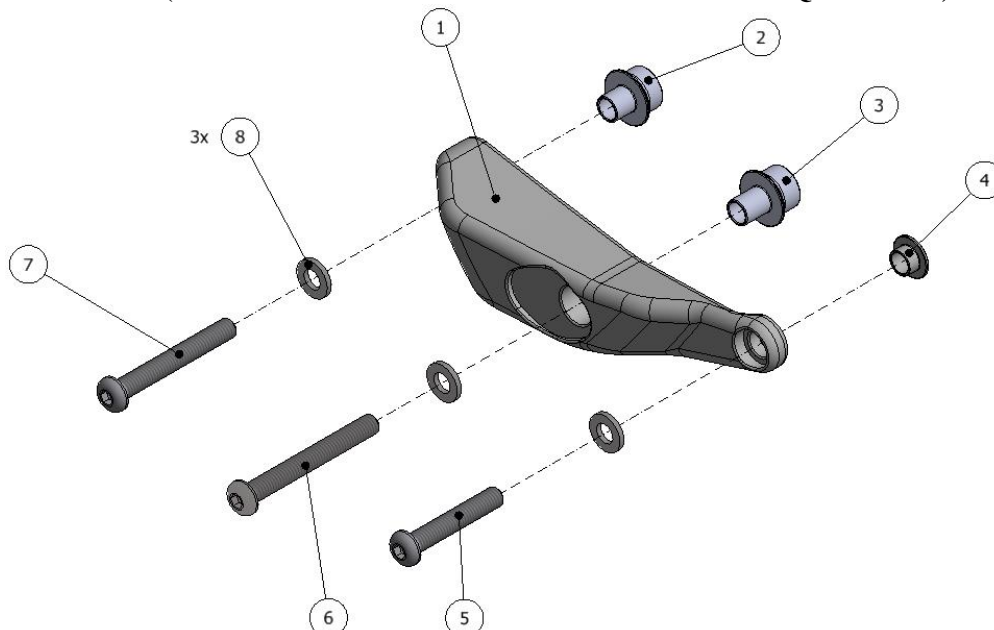
**NOTICE DE MONTAGE POUR ECS0118BK SLIDERS CARTER MOTEUR
SUZUKI GSX-R1000 '17- (RIGHT HAND SIDE ONLY)**



Le kit contient les articles exposés ci-dessous, vérifier que toutes les pièces soient présentes avant de procéder au montage.

La façon dont le kit est emballé ne correspond pas forcément à la façon de monter les pièces sur la moto.

**LES PARTIES PRESENTES PEUVENT ETRE UNIQUEMENT REPRESENTATIVES
(POUR LA CLARTE DES INSTRUCTIONS UNIQUEMENT).**





LEGENDE

- ARTICLE 1 = SLIDER CARTER MOTEUR (ECS0118) (x1).
- ARTICLE 2 = MANCHE (PRE-MONTE) (CS503) (x1).
- ARTICLE 3 = MANCHE (PRE-MONTE) (CS473) (x1).
- ARTICLE 4 = MANCHE (PRE-MONTE) (CS504) (x1).
- ARTICLE 5 = M6 x 35mm BOULONS (x1).
- ARTICLE 6 = M6 x 50mm BOULONS (x1).
- ARTICLE 7 = M6 x 45mm BOULONS (x1).
- ARTICLE 8 = M6 RONDELLES (3).

OUTILS REQUIS

- Clé à douilles 4, 5mm.
- Clé à douille 8mm.
- Tournevis plat.

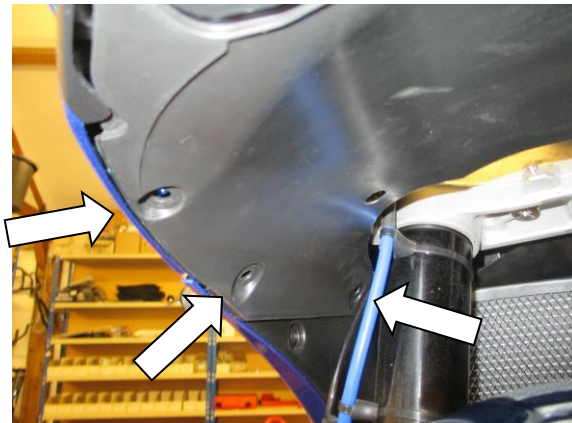


Photo 1



Photo 2



Photo 3



Photo 4



Photo 5



Photo 6



Photo 7



Photo 8



Photo 9



Photo 10



NOTICE DE MONTAGE

Coté droit (assis sur la moto)

- Pour monter le slider de carter moteur, le carénage du coté droit doit être enlevé de la moto.
- Retirer le capot plastique sous le nez, en enlevant les 6 rivets, voir photos 1 & 2 et les 2 rivets restants dans le centre, voir photo 3.
- Pour enlever le carénage du coté droit, enlever les 4 boulons indiqués sur les photos 4 & 5 et le rivet qui fixe le capot de radiateur, indiqué sur la photo 6.
- Le carénage du coté droit peut maintenant être enlevé de la moto. Commencer par tirer l'arrière de son support de fixation, voir photo 7, avant d'enlever le bord supérieur et les onglets de fixation, voir photo 8. Une fois le bord supérieur libéré, déconnecter le connecteur de câbles de clignotant, voir photo 9 puis déclipser les supports avec le bord inférieur avant qui fixent le carénage au contour de radiateur. Le carénage doit ensuite pouvoir être libéré de la moto.
- Enlever les 3 boulons M6 indiqués à l'endroit où le slider se positionne, voir photo 10.
- Insérer les nouveaux boulons avec rondelles dans le slider, voir le schéma.
- Montez le sur la moto.
- Serrer aux couples de serrage.
- Insérer un sticker en caoutchouc, comme ci-dessus.
- Remonter le carénage en procédant à l'inverse du démontage, en veillant à ce que le connecteur de clignotant soit reconnecté.

Issue 1 12/05/2017 (AR)

Notice disponible au téléchargement sur www.rg-racing.com

CONSUMER NOTICE

The catalogue description and any exhibition of samples are only broad indications of the Products and R&G may make design changes which do not diminish their performance or visual appeal and supplying them in such state shall conform to the order. The Buyer acknowledges no representation or warranty (other than as to title) has been given or will apply to the Products other than those in R&G's order or confirmation and the Buyer confirms it has chosen the Products as being of merchantable quality and suitable for its particular purposes. Where R&G fits the Products or undertakes other services it shall exercise reasonable skill and care and rectify any fault free of charge unless the workmanship has been disturbed. The Buyer is responsible for ensuring that the warranty on the motorcycle is not affected by the fitting of the Products. On return of any defective Products R&G shall at its option either supply a replacement or refund the purchase money but shall not be liable if the Products have been modified or used or maintained otherwise than in accordance with R&G's or manufacturer's instructions and good engineering practice or if the defect arises from accident or neglect. Other than identified above and subject to R&G not limiting its liability for causing death and personal injury, it shall not be liable for indirect or consequential loss and otherwise its liability shall be limited to the amounts paid by the Buyer for the Products or the fitting or service concerned. These terms do not affect the Buyer's statutory rights.

R&G RACING RETURNS POLICY (NON-FAULTY GOODS)

Returns must be pre-authorized (if not pre-authorized the return will be rejected). Goods may only be returned direct to us if they were purchased direct from us (customer must prove if necessary). Otherwise to be returned to original vendor. Goods must be in resellable condition, in the opinion of R&G Racing. All returns are subject to a 25% restocking and handling fee (25% of the gross value exc. P&P – at the prevailing price at time of purchase). The customer must pay any and all carriage charges. No returns of discontinued products, unless within 14 days of purchase. This policy does not affect your statutory rights and does not refer to faulty goods.

R&G Racing

Unit 1, Shelley's Lane, East Worldham, Alton, Hampshire, GU34 3AQ

Tel: +44 (0)1420 89007 Fax: +44 (0)1420 87301 www.rg-racing.com Email: info@rg-racing.com